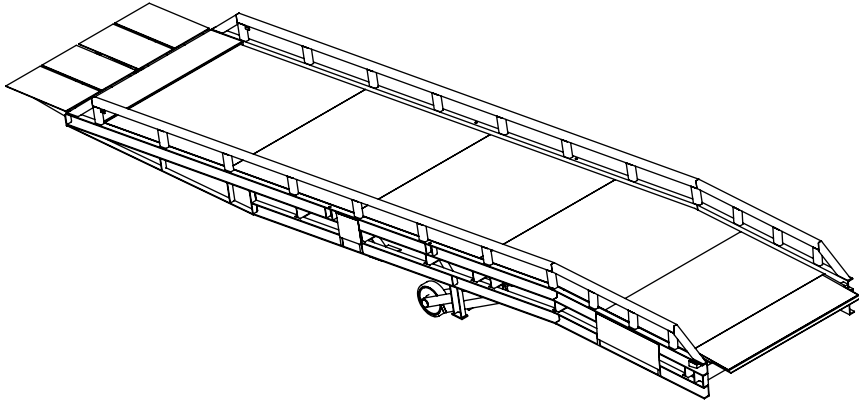
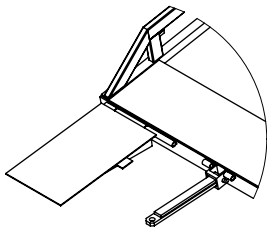
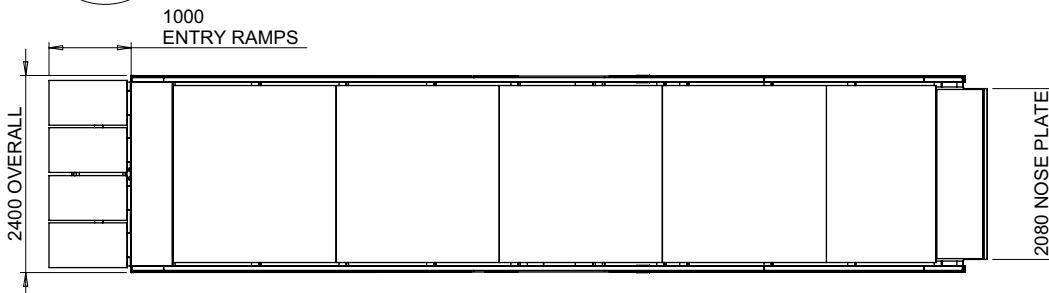
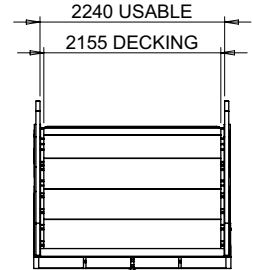
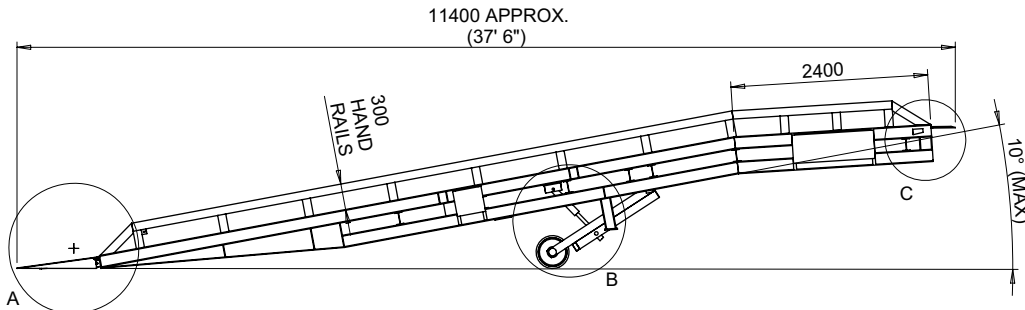


PART No:SMY249037FW8



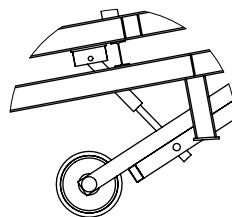
Ten tonne type 8 mobile yard ramp. A standard unit with fold down entry ramps, high safety side rail, tow bar, & manual hydraulic height adjustment for fast & efficient loading operations.

CAPACITY	10000Kg
WEIGHT	3700 Kg
MATERIAL	Welded Steel
HEIGHT DIFFERENTIAL	890 mm (min.) 1070 mm (max. rec.) 1680 mm (max poss.)
ESTIMATED LEAD TIME	-
OPTIONAL EXTRAS	Chocks, Trailer Safety Jack



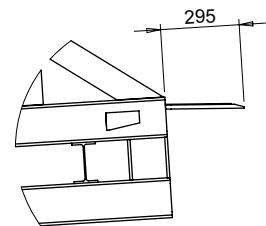
DETAIL A

CONSTANT GRADIENT ENTRY RAMPS AND TOWING ATTACHMENT FOR EASY ACCESS AND MANOUVRABILITY
(SOME ENTRY RAMP SECTIONS OBSCURED ABOVE FOR TOW BAR VIEW)



DETAIL B

HYDRAULIC UNDERCARRIAGE FOR FAST & RELIABLE MANUAL HEIGHT ADJUSTMENT



DETAIL C

EXIT LIP AND CHAIN TENSIONING BRACKET FOR SAFE & SECURE LOADING / UNLOADING

All dimensions shown are in millimetres and are intended for reference purposes only; exact product measurements may vary due to applied tolerances and methods of manufacture

