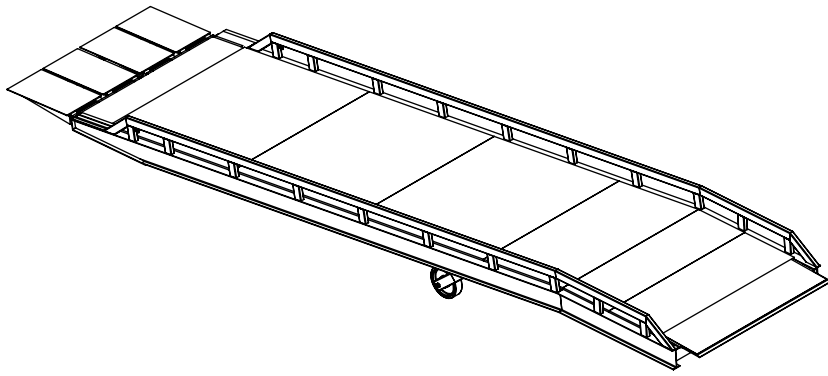
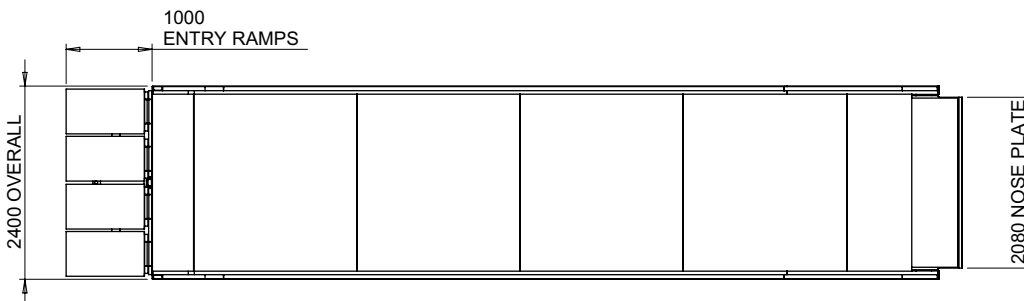
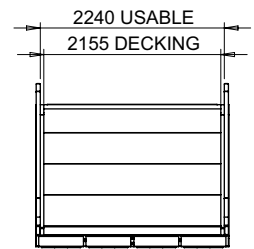
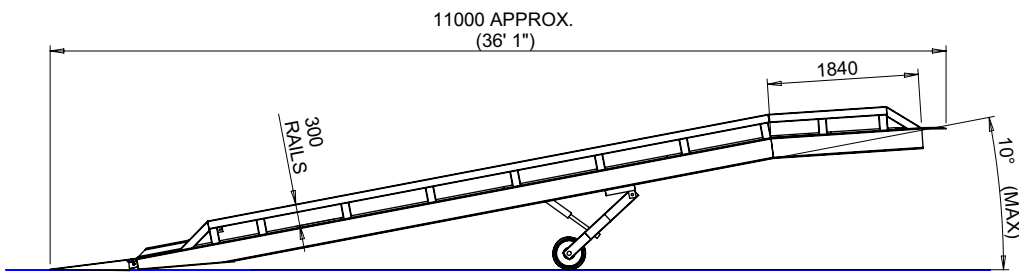


PART No: SMY169036FW10



Seven tonne type 10 mobile yard ramp. A standard unit with fold down entry ramps, high safety side rail, multiple towing options & manual hydraulic height adjustment for fast & efficient loading operations.

CAPACITY	7000 Kg
WEIGHT	2930 Kg
CLASS	STANDARD
HEIGHT DIFFERENTIAL	890 mm (min.) 1070 mm (max. rec.) 1680 mm (max. poss.)
ESTIMATED LEAD TIME	-
OPTIONAL EXTRAS	Push-Pull Type Towing Bracket, Chocks, Trailer Safety Jack



All dimensions shown are in millimetres and are intended for reference purposes only; exact product measurements may vary due to applied tolerances and methods of manufacture

