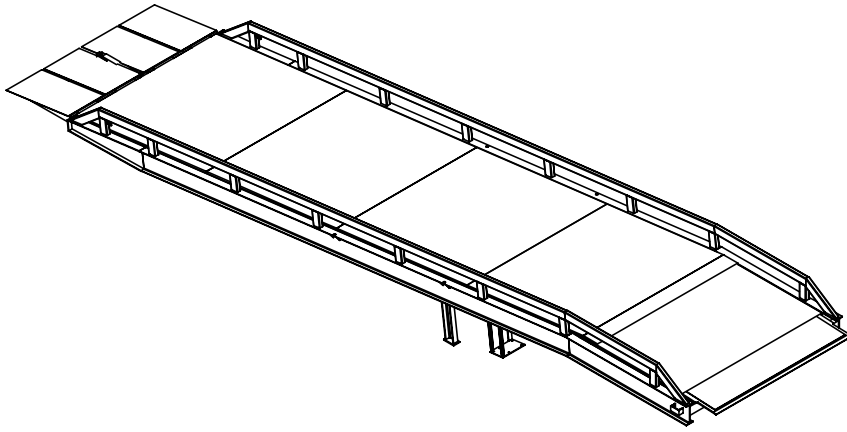
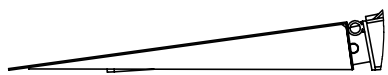
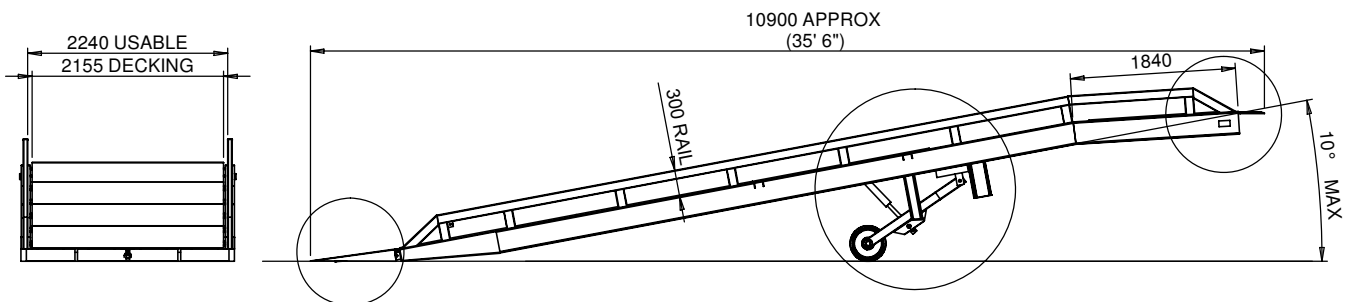
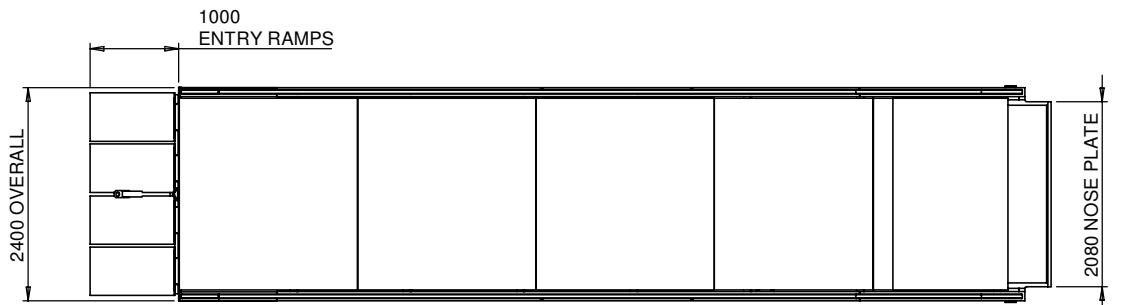


# PART No: SMY149036FW10

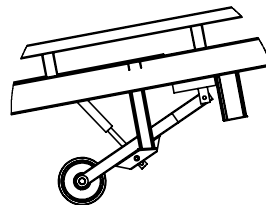


Six tonne type 10 mobile yard ramp. A standard unit with fold down entry ramps, high safety side rail, tow bar, & manual hydraulic height adjustment for fast & efficient loading operations.

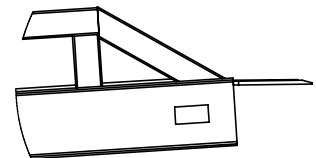
CAPACITY	6000Kg
WEIGHT	2760 Kg
MATERIAL	Welded Steel
HEIGHT DIFFERENTIAL	890 mm (min.) 1070 mm (max. rec.) 1680 mm (max. poss.)
ESTIMATED LEAD TIME	-
OPTIONAL EXTRAS	Chocks, Trailer Safety Jack



CONSTANT GRADIENT ENTRY RAMPS AND TOWING ATTACHMENT FOR EASY ACCESS AND MANOVRABILITY



HYDRAULIC UNDERCARRIAGE FOR FAST & RELIABLE MANUAL HEIGHT ADJUSTMENT



EXIT LIP AND CHAIN TENSIONING BRACKET FOR SAFE & SECURE LOADING / UNLOADING

All dimensions shown are in millimetres and are intended for reference purposes only; exact product measurements may vary due to applied tolerances and methods of manufacture

