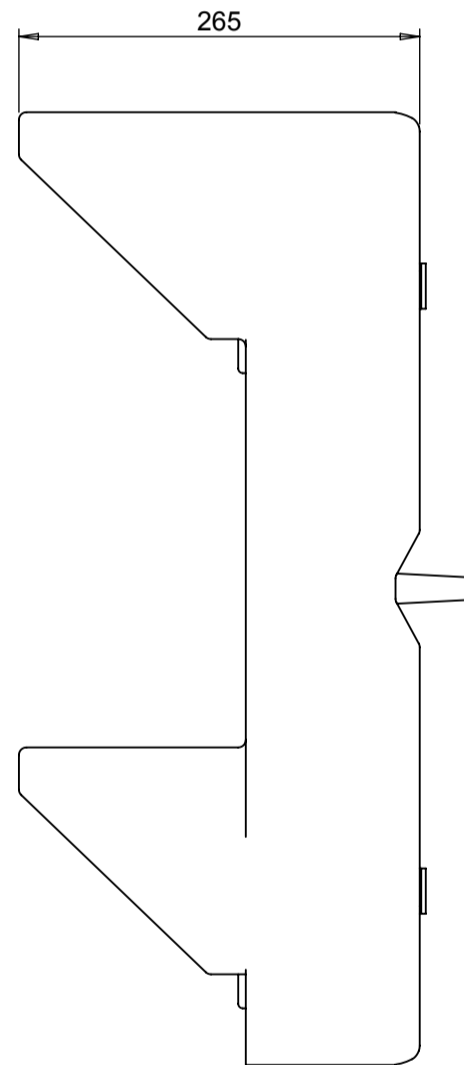
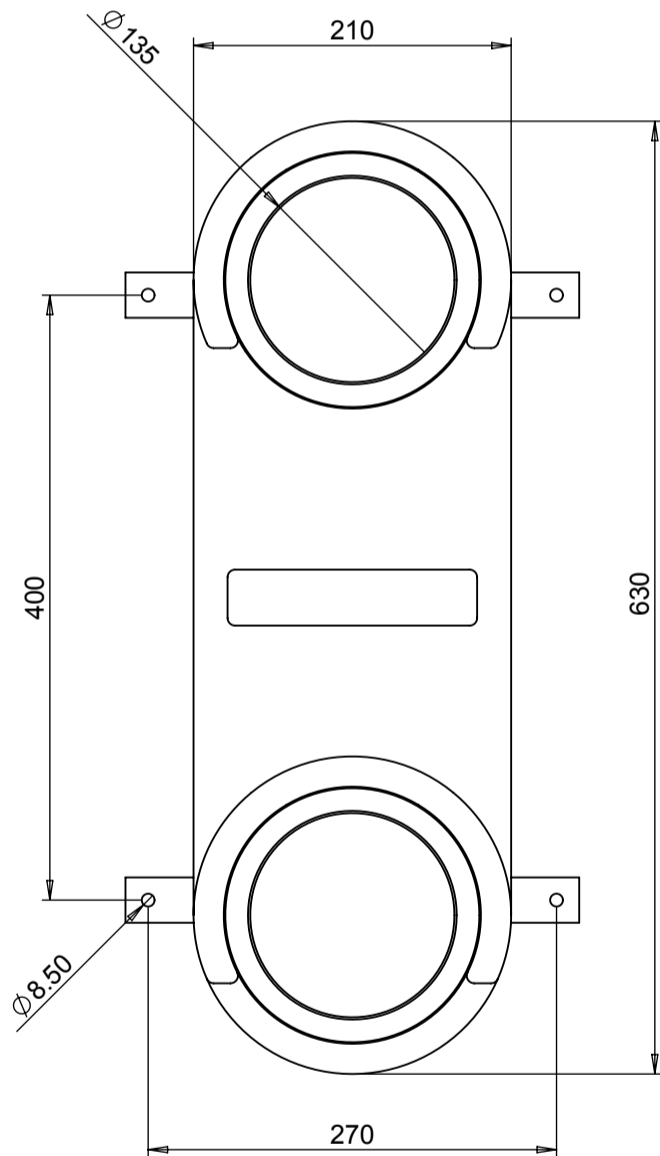


PART No: TDL-2L-NS

The Deluxe LED Traffic Light combines high output with low maintenance and long lifespan, even in the harshest of weather conditions.

MATERIAL	UV stabilised polyethylene housing with impact resistant polycarbonate lenses
WEIGHT	4Kg
ESTIMATED LEADTIME	EX-STOCK
OPTIONAL EXTRAS	Sensors are available to detect the presence of a vehicle. Alternatively they can be used with a wheel chock with built in movement switch (TWC-5) or a manual switch. Please ask for further information.



All dimensions shown are in millimetres and are intended for reference purposes only; exact product measurements may vary due to applied tolerances and methods of manufacture

