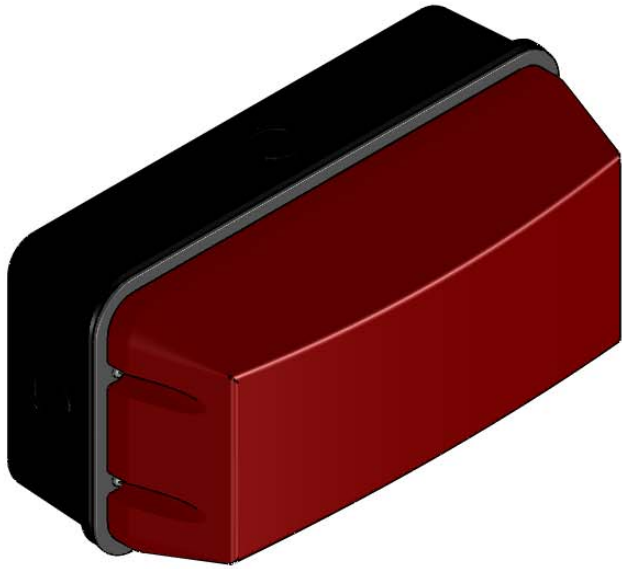
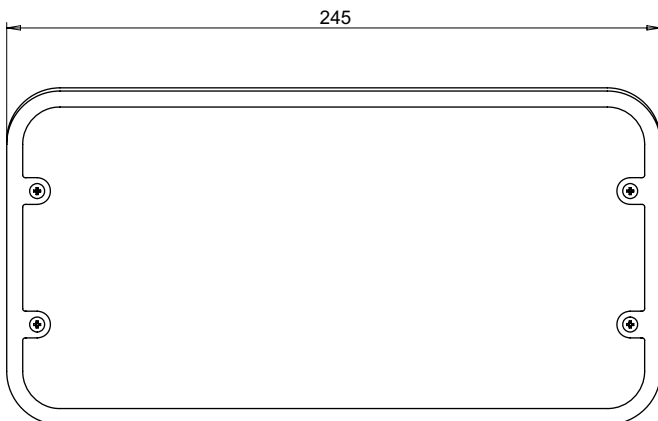
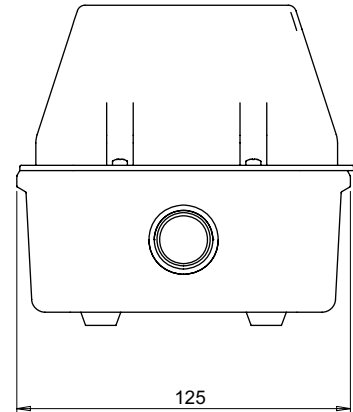
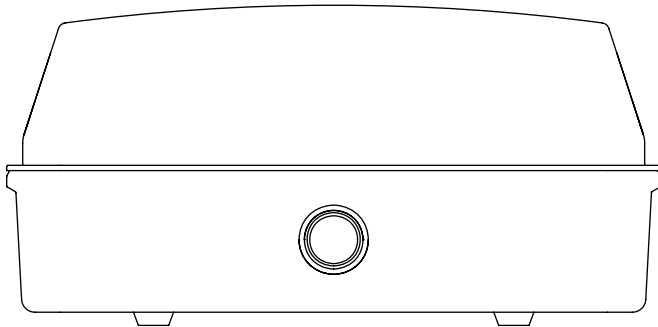


## PART No: TDL-1



The Thorworld Standard Traffic light can be used indoor or outdoor, particularly useful inside warehouses to inform personnel of whether the dock is in use. This product is easy to install and comes with full wiring and fitting instructions.

BULB	60 WATT
WEIGHT	2 Kg
ESTIMATED LEADTIME	EX STOCK
OPTIONAL EXTRAS	All lights are available without sensors, can be used with a wheel chock with built in movement switch (TWC-5) or can be used with a manual switch, not included. Please ask for further information.



All dimensions shown are in millimetres and are intended for reference purposes only; exact product measurements may vary due to applied tolerances and methods of manufacture

