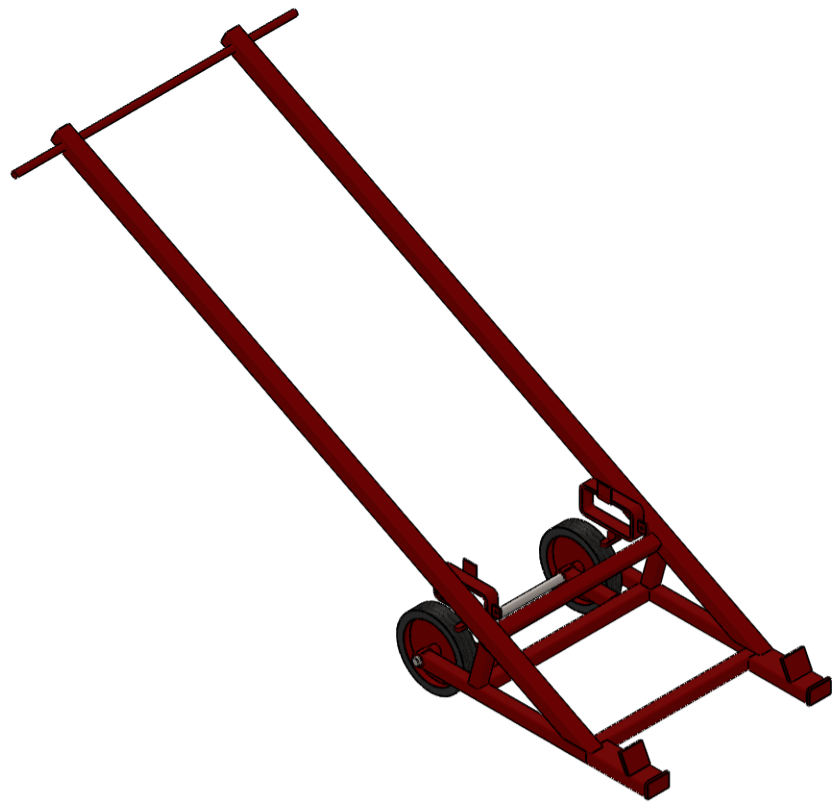


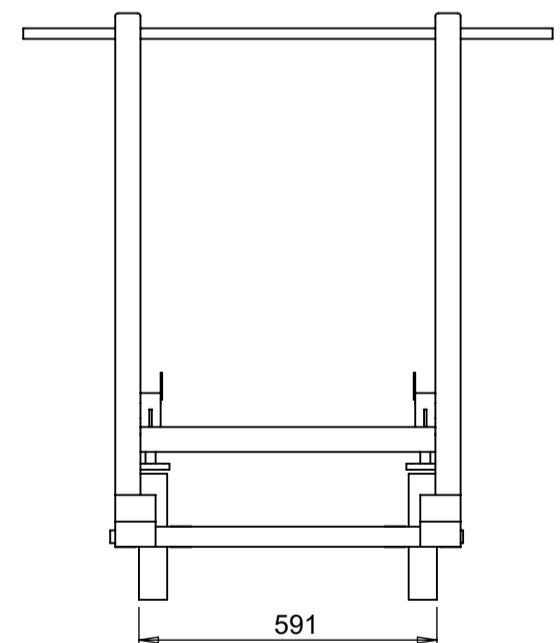
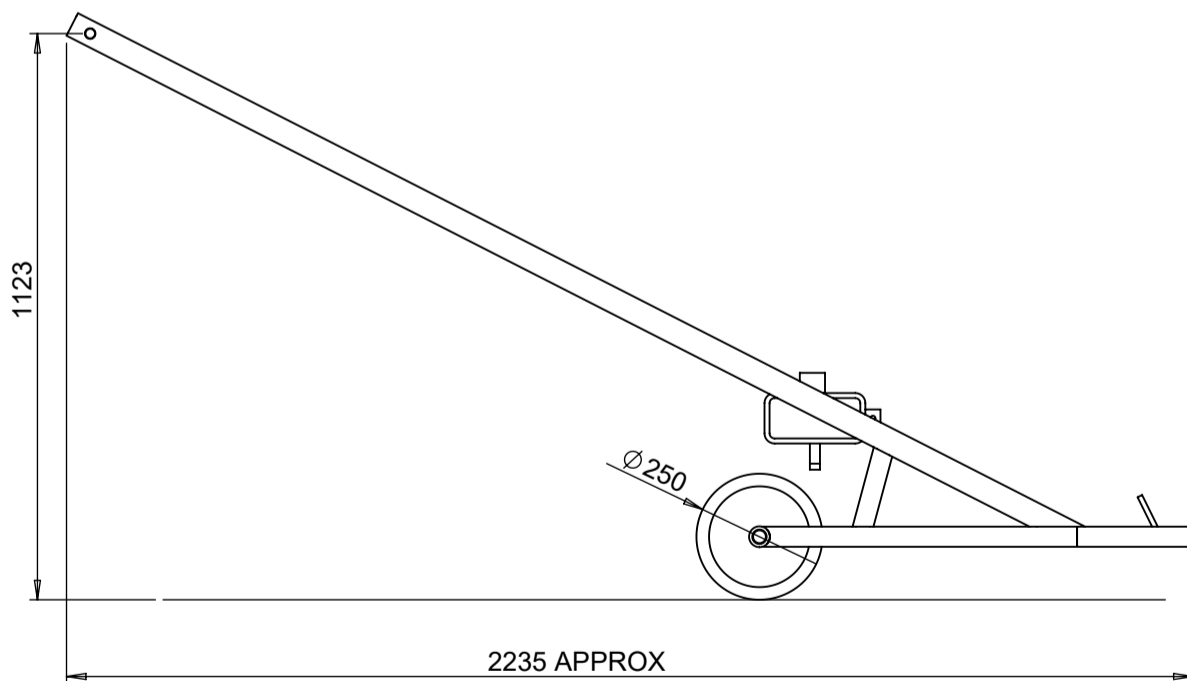
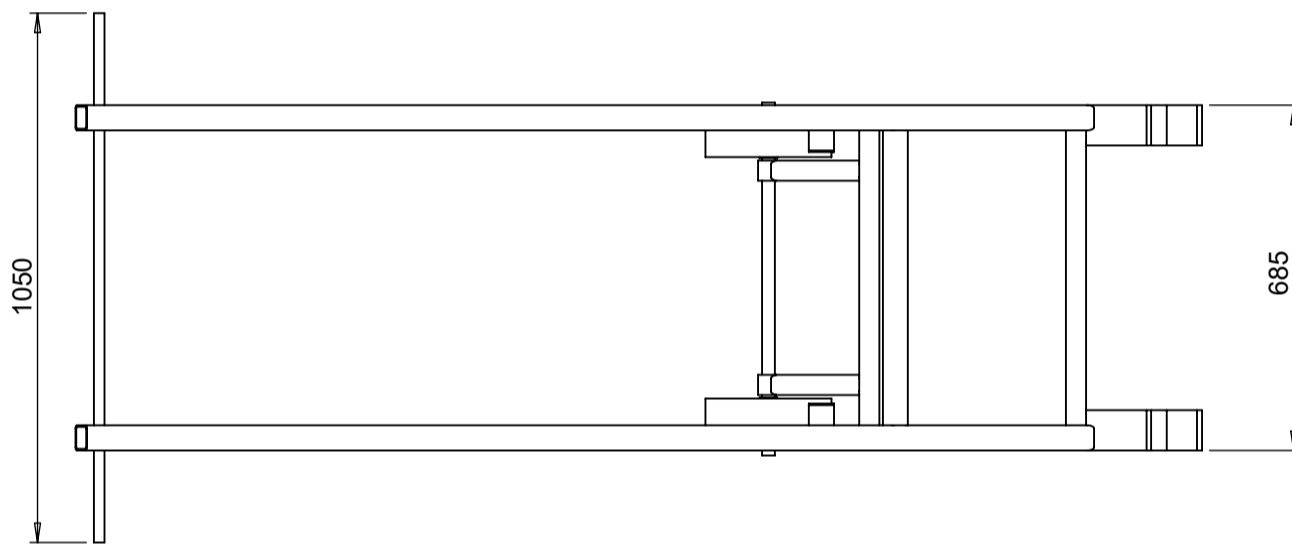
# PART No: TW-DPT-001



The DPT, Dockplate Trolley, will assist in the manual movement of large dockplates for sites that do not have fork lift trucks available.

The trolley gives a mechanical advantage of up to 2.1x with a vertical lift force ratio of 1.7-1.9x depending on the handle height

MATERIAL	Steel
WEIGHT	65Kg Approx
ESTIMATED LEADTIME	TBC
REQUIRED EXTRAS	FTH-1
OPTIONAL EXTRAS	Longer Acting Arm



All dimensions shown are in millimetres and are intended for reference purposes only; exact product measurements may vary due to applied tolerances and methods of manufacture

The Intellectual Property, Design Patents, Copyright and Commercial Rights of this drawing remain the private property of Thorworld Industries Ltd and may not be copied, replicated or used by any Third Parties without prior written approval.



Telephone: +44 (0) 1246 260981

Email: [info@thorworld.co.uk](mailto:info@thorworld.co.uk)