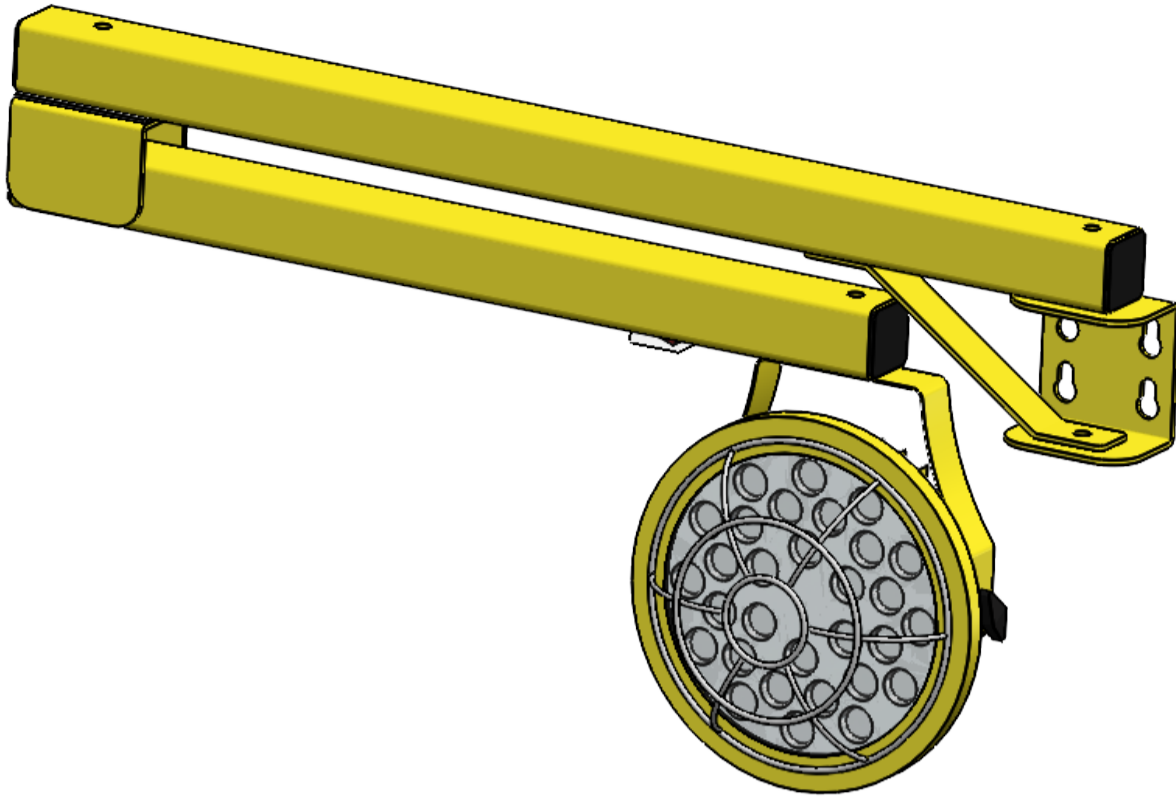
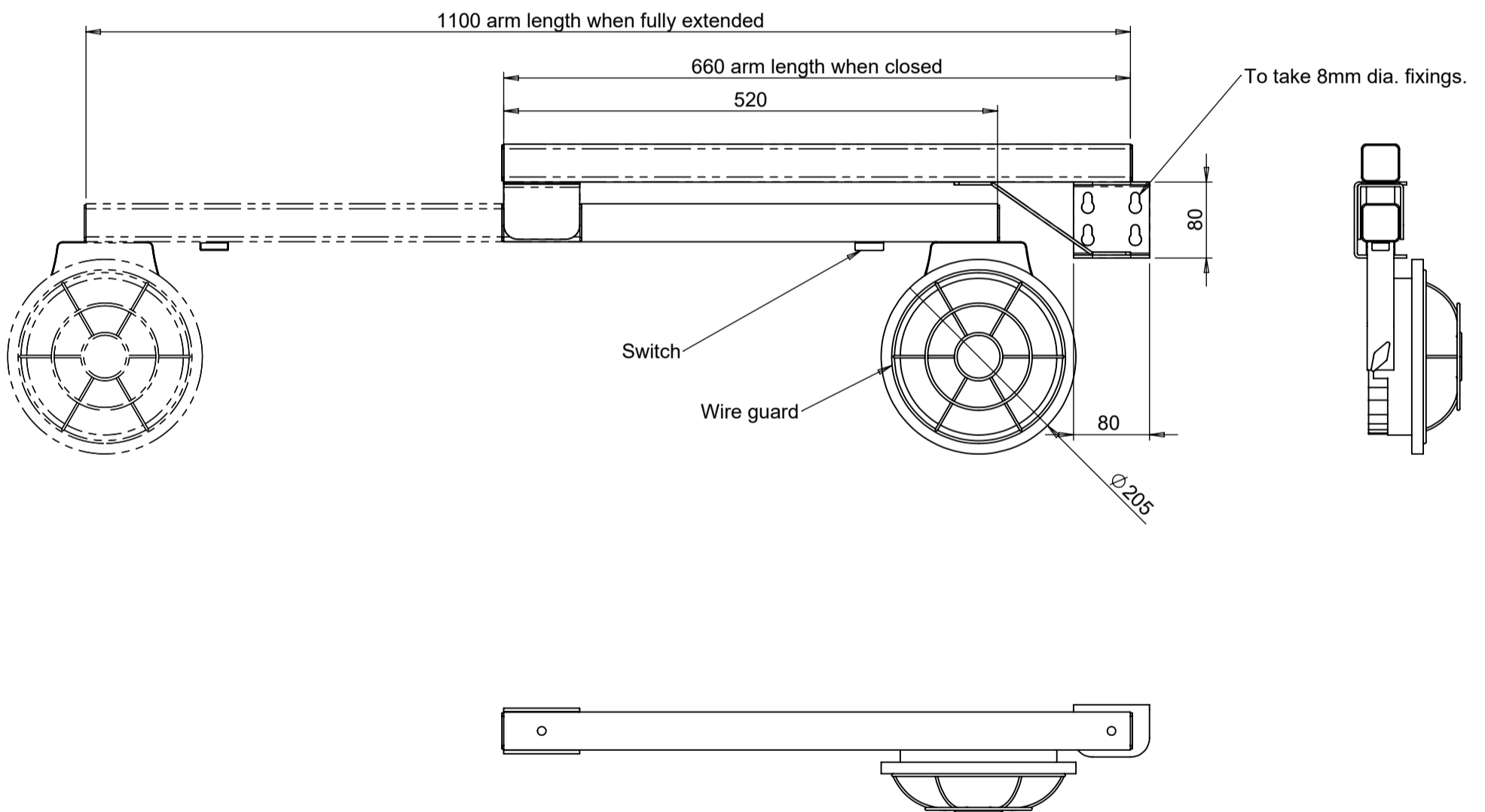


PART No: TWDL-5L



The Super Deluxe Dock Light moves in two planes and pivots at three points, allowing the light to be accurately positioned to illuminate the inside area of a vehicle during loading and unloading.

MATERIAL	Steel
WEIGHT	6.5Kg
ESTIMATED LEADTIME	5-10 days
ADDITIONAL INFO	30W, 3300 Lumen light output. IP65 for outdoor applications. Features built-in switch.



All dimensions shown are in millimetres and are intended for reference purposes only; exact product measurements may vary due to applied tolerances and methods of manufacture

The Intellectual Property, Design Patents, Copyright and Commercial Rights of this drawing remain the private property of Thorworld Industries Ltd and may not be copied, replicated or used by any Third Parties without prior written approval.



Telephone: +44 (0) 1246 260981

Email: info@thorworld.co.uk