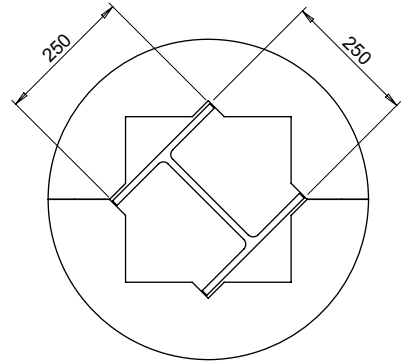
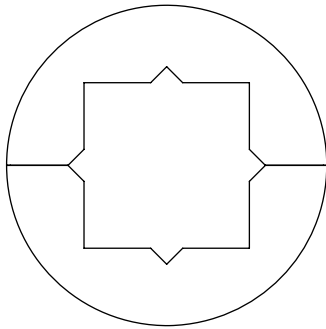




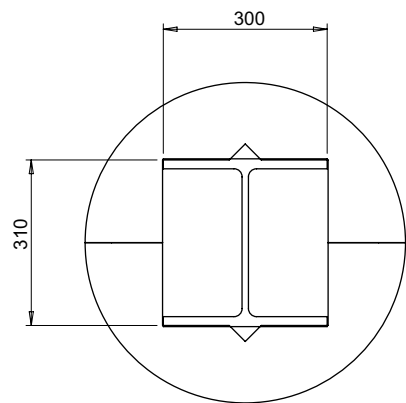
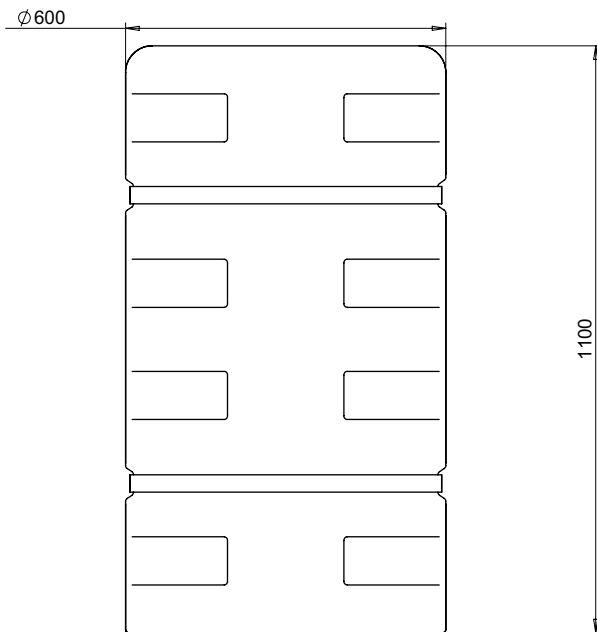
PART No: TWCP-4

The Thorworld Column Protector provides excellent impact protection using air pressure release. There are no fixings required which allows for fast and simple installation. The product is finished in High Visibility Yellow for improved hazard alertness. It is also UV Stabilised making it suitable for indoor and outdoor applications.

MATERIAL	PLASTIC
WEIGHT	23 Kg
ESTIMATED LEADTIME	EX STOCK
TO SUIT BEAM SIZES (mm)	250 x 250 300 x 300



ACCOMMODATING 250mm x 250mm BEAM



ACCOMMODATING 300mm x 300mm BEAM

All dimensions shown are in millimetres and are intended for reference purposes only; exact product measurements may vary due to applied tolerances and methods of manufacture

